

**Modular Cooking Range Line  
EVO700 4-Hot Plates Electric  
Boiling Top Range on Electric Oven**

ITEM # \_\_\_\_\_

MODEL # \_\_\_\_\_

NAME # \_\_\_\_\_

SIS # \_\_\_\_\_

AIA # \_\_\_\_\_

**372016 (Z7ECEH4RE0)**4-hot plate (2,6 kW each)  
electric range on electric oven  
(6 kW)**372128 (Z7ECEH4REN)**4-hot plate (2,6 kW each)  
electric range on electric oven  
(6 kW)**Short Form Specification****Item No.** \_\_\_\_\_

To be installed on stainless steel feet with height adjustment up to 50 mm. Four 2.6 kW cast-iron hot plates hermetically sealed to the one-piece top. Stainless steel oven chamber with 3 levels of runners to accommodate 2/1 GN shelves (2 steam pans). Ribbed oven base plate. Exterior panels in stainless steel with Scotch Brite finish. One piece pressed work top in 1.5 mm thick stainless steel. Right-angled side edges to allow flush-fitting junction between units.

**Main Features**

- The four round 2.6kW cast-iron plates are hermetically sealed to the one-piece top.
- Base compartment consists of an electric standard oven with thick oven door for heat insulation, positioned beneath the base plate.
- Electric oven to have separate thermostats for top and bottom heating elements.
- Stainless steel oven chamber with 3 levels of runners to accommodate 2/1 GN shelves (2 steam pans).
- Ribbed enamelled steel oven base plate.
- The special design of the control knob system guarantees against water infiltration.
- IPx4 water protection.
- Oven thermostat adjustable from 100 °C to 300 °C.

**Construction**

- All exterior panels in Stainless Steel with Scotch Brite finishing.
- One piece pressed 1.5 mm work top in Stainless steel.
- Model has right-angled side edges to allow flush fitting joints between units, eliminating gaps and possible dirt traps.

APPROVAL: \_\_\_\_\_

### Included Accessories

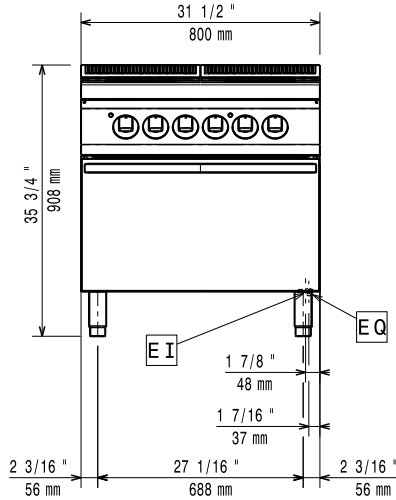
- 1 of GN2/1 chrome grid for static oven PNC 164250

### Optional Accessories

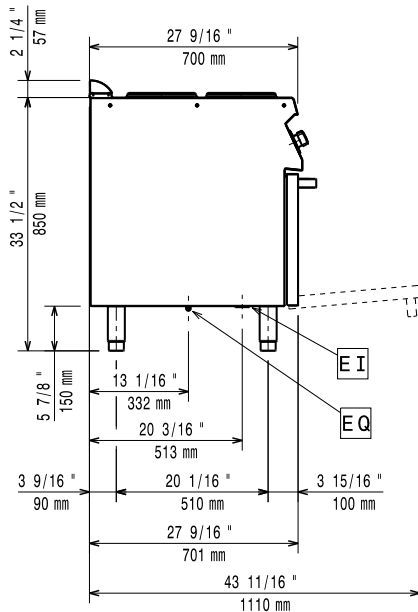
- GN2/1 chrome grid for static oven (only for 372016) PNC 164250
- Junction sealing kit (only for 372016) PNC 206086
- 4 wheels, 2 swivelling with brake (EVO700/900). It is mandatory to install with base supports for feet/wheels. (only for 372016) PNC 206135
- Flanged feet kit (only for 372016) PNC 206136
- Frontal kicking strip for concrete installation, 800 mm (only for 372016) PNC 206148
- Frontal kicking strip for concrete installation, 1000 mm (only for 372016) PNC 206150
- Frontal kicking strip for concrete installation, 1200 mm (only for 372016) PNC 206151
- Frontal kicking strip for concrete installation, 1600 mm (only for 372016) PNC 206152
- Frontal handrail 800 mm (only for 372016) PNC 206167
- Frontal kicking strip, 800 mm (only for 372016) PNC 206176
- Frontal kicking strip, 1000 mm (only for 372016) PNC 206177
- Frontal kicking strip, 1200 mm (only for 372016) PNC 206178
- Frontal kicking strip, 1600 mm (only for 372016) PNC 206179
- Large handrail (portioning shelf) 800 mm (only for 372016) PNC 206186
- Frontal handrail 1200 mm (only for 372016) PNC 206191
- Frontal handrail 1600 mm (only for 372016) PNC 206192
- 4 feet for concrete installation (not for 900 line freestanding grill) (only for 372016) PNC 206210
- Right and left side handrails (only for 372016) PNC 206240
- Pair of side kicking strips (only for 372016) PNC 206249
- Pair of side kicking strips (concrete installation) (only for 372016) PNC 206265
- Water column with swivel arm (water column extension not included) (only for 372016) PNC 206289
- Water column extension (only for 372016) PNC 206291
- Chimney upstand, 800 mm (only for 372016) PNC 206304
- 2 side covering panels, height 700 mm, depth 700 mm (only for 372016) PNC 206319

- Base support for feet or wheels - 800mm (EVO700/900) (only for 372016) PNC 206367
- Base support for feet or wheels - 1200mm (EVO700/EVO900) (only for 372016) PNC 206368
- Base support for feet or wheels - 1600mm (EVO700/900) (only for 372016) PNC 206369
- Rear paneling - 800mm (EVO700/900) (only for 372016) PNC 206374
- Rear paneling - 1000mm (EVO700/900) (only for 372016) PNC 206375
- Rear paneling - 1200mm (EVO700/900) (only for 372016) PNC 206376
- Chimney grid net, 400mm (only for 372016) PNC 206400

**Front**

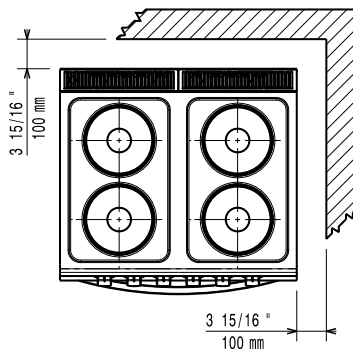


**Side**



EI = Electrical inlet (power)  
EQ = Equipotential screw

**Top**



**Electric**

**Supply voltage:**

<b>372016 (Z7ECEH4RE0)</b>	380-400 V/3 ph/50-60 Hz
<b>372128 (Z7ECEH4REN)</b>	230 V/3 ph/50/60 Hz

**Total Watts:**

16.4 kW

**Key Information:**

If appliance is set up or next to or against temperature sensitive furniture or similar, a safety gap of approximately 150 mm should be maintained or some form of heat insulation fitted.

**Oven working Temperature:** 100 °C MIN; 300 °C MAX

**Oven Cavity Dimensions (width):** 540 mm

**Oven Cavity Dimensions (height):** 300 mm

**Oven Cavity Dimensions (depth):** 650 mm

**Net weight:** 80 kg

**Shipping weight:**

**372016 (Z7ECEH4RE0)** 93 kg

**372128 (Z7ECEH4REN)** 95 kg

**Shipping height:**

**372016 (Z7ECEH4RE0)** 1080 mm

**372128 (Z7ECEH4REN)** 1140 mm

**Shipping width:**

820 mm

**Shipping depth:**

860 mm

**Shipping volume:**

**372016 (Z7ECEH4RE0)** 0.76 m<sup>3</sup>

**372128 (Z7ECEH4REN)** 0.8 m<sup>3</sup>

**[NOT TRANSLATED]**

**372016 (Z7ECEH4RE0)** EH740

**372128 (Z7ECEH4REN)** N7CE1

**Front Plates Power:** 2.6 - 2.6 kW

**Back Plates Power:** 2.6 - 2.6 kW

**Front Plates dimensions:** Ø 230 Ø 230

**Back Plates dimensions:** Ø 230 Ø 230